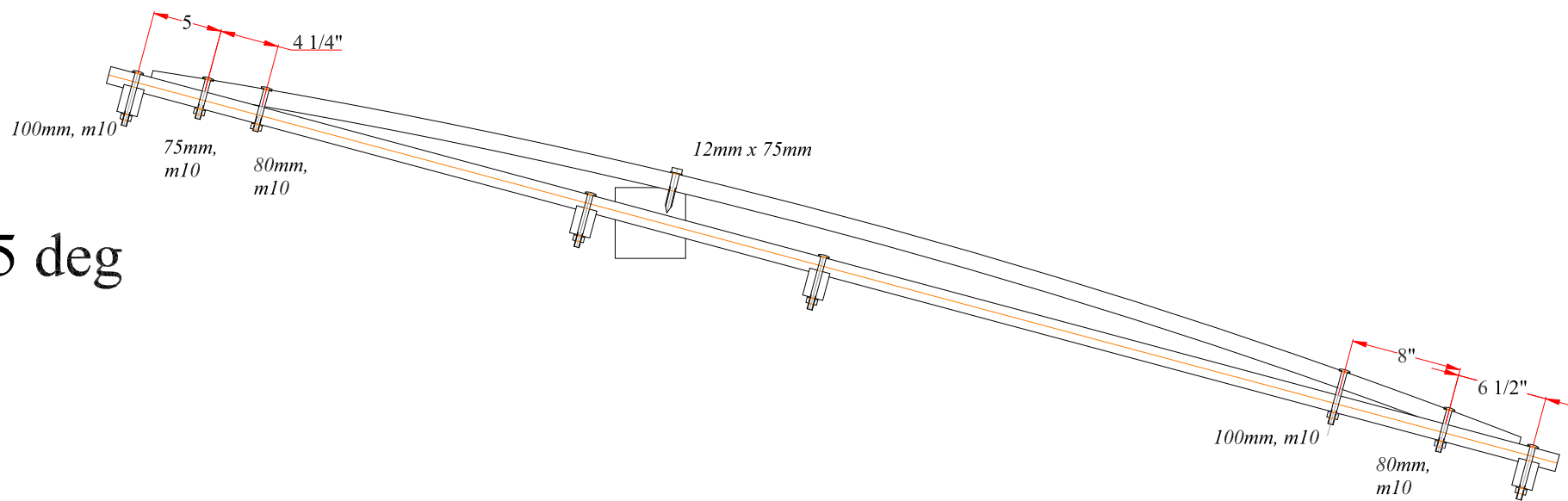


Bar 1, 15 deg



*Fig 1.13 - 1 WICKEN WINDMILL: Sail Section at Bar 1 - detail*