

1 cm = 5"

9-5-97

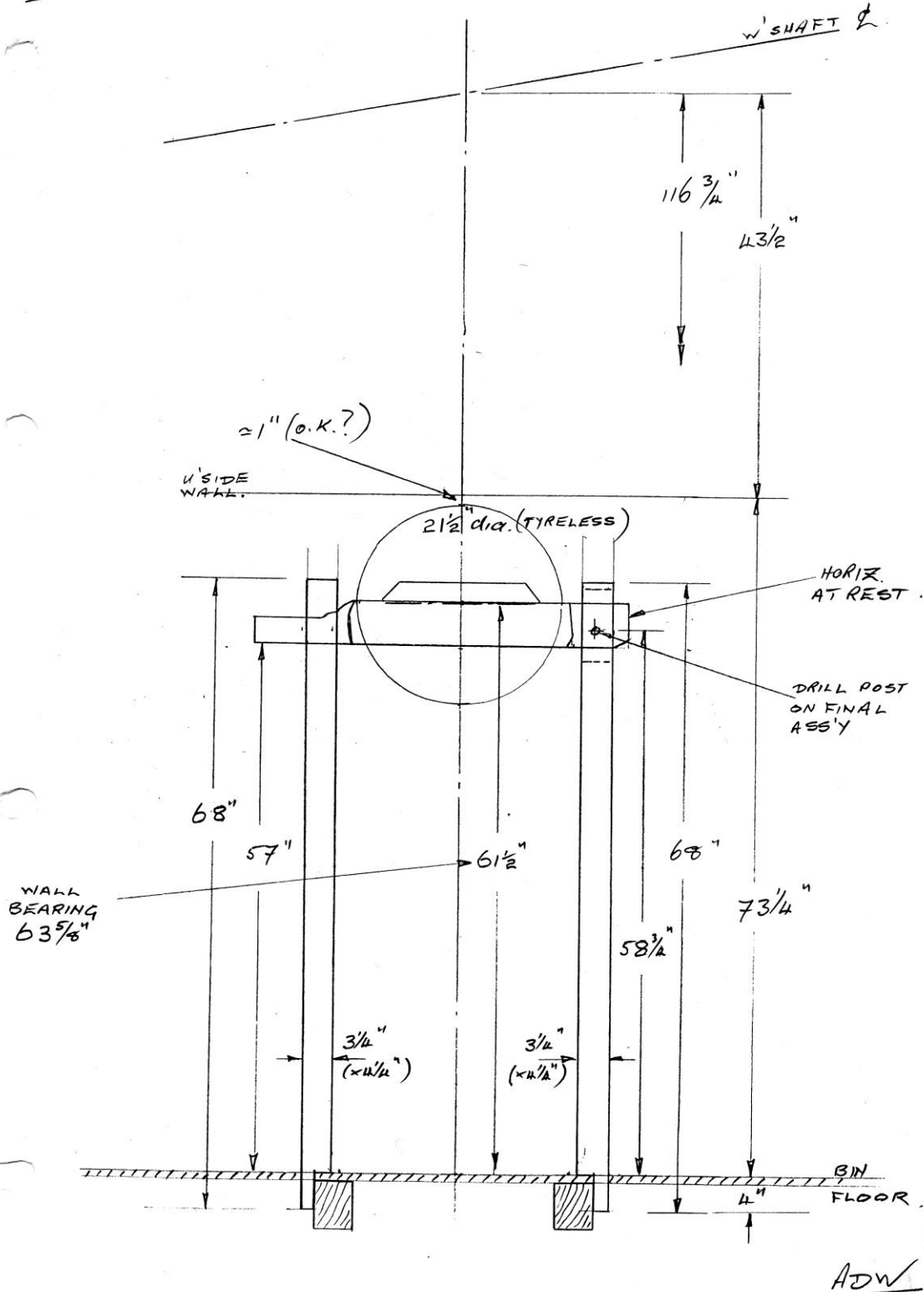


Fig 3.43 Sack Hoist Hursting (taken from Alan Wallis drawing)